

Max Frame	DP	IMPACT
96 x 72	+50/-55	NO

- Installation Notes:**
1. Seal flange/frame to substrate.
 2. Use #8 PH or greater fastener through the nailfin on all sides with sufficient length to penetrate a minimum of 1 1/2" into the wood framing. For 2x wood frame substrate (min. S.G. = 0.42)
 3. Host structure (wood buck, masonry, steel) to be designed and anchored to properly transfer all loads to the structure. The host structure is the responsibility of the architect or engineer of record for the project of installation.

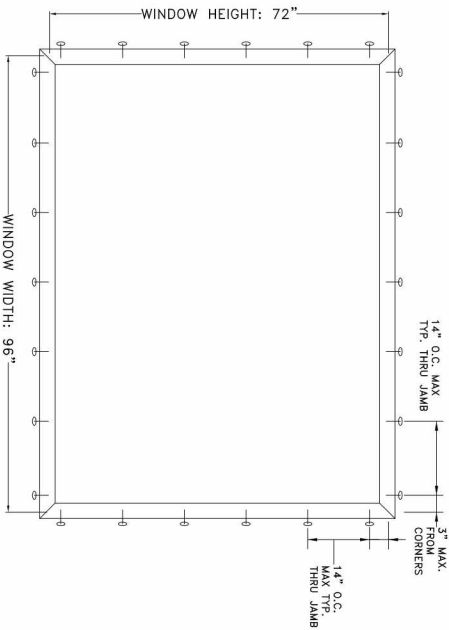
- General Notes:**
1. The product shown herein is designed, tested and manufactured to comply with the wind load criteria of the adopted International Building Code (IBC), the International Residential Code (IRC), the Florida Building Code (FBC), and the industry requirement for the stated conditions.
 2. All glazing shall conform to ASTM E1300.
 3. At minimum, glazing shall be double strength annealed insulating glass.
 4. Use structural or composite shims where required.

This schedule addresses only the fasteners required to anchor the window to achieve the rated design pressure and impact performance (where applicable) up to the size limitations noted. It is not intended as a guide to the installation process and does not address the sealing consideration that may arise in different wall conditions. For the complete installation procedure, see the instructions packaged with the window or go to www.jeld-wen.com/resources/installation.

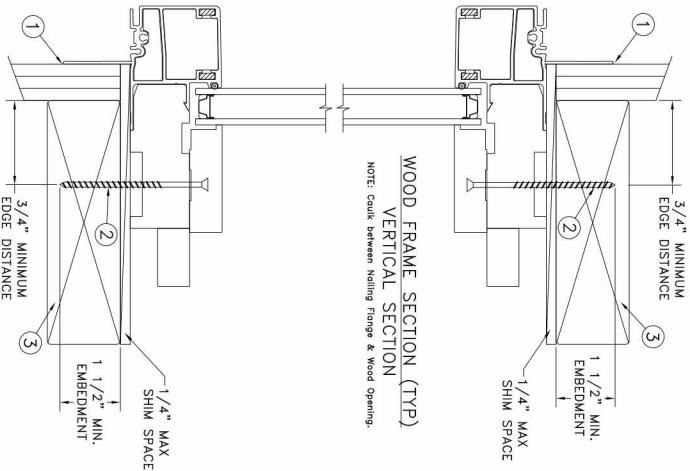
DISCLAIMER:
This drawing and its contents are confidential and are not to be reproduced or copied in whole or in part or used or disclosed to others except as authorized by JELD-WEN Inc.

PROJECT ENGINEER:	DATE:	05/20/2016
DRAWN BY:	SCALE:	NTS
J.HAWKINS	TITLE:	
CHECKED BY:	EpicVue Clad Direct Set Window	
K.CAMPBELL		
APPROVED BY:		
D.STOKES		
PART/PROJECT No.:	D014146	
IDENTIFIER No.:	-	
PLANT NAME AND LOCATION:	Bend-OR	
CAD DWG. No.:	EpicVueCLDSet Cert	
REV:	A	
SHEET		

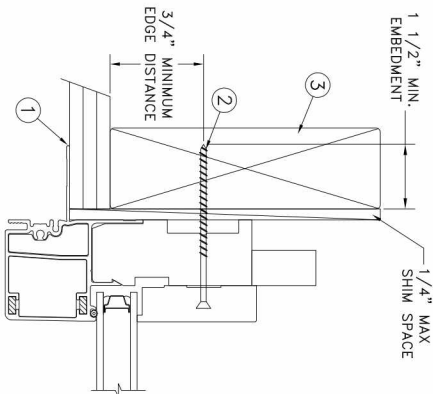
3737 LAKEPORT BLVD.
JELD-WEN KIAMATH FALLS OR, 97601
PHONE: (800) 535-3936



TYPICAL ELEVATION WITH FASTENER SPACING



WOOD FRAME SECTION (TYP)
VERTICAL SECTION
NOTE: Caulk between Nailing Flange & Wood Opening.



FRAME JAMB SECTION (TYP)
HORIZONTAL SECTION
NOTE: Caulk between Nailing Flange & Wood Opening.

THRU JAMB INSTALLATION

Max Frame	DP	IMPACT
96 x 72	+50/-55	NO

Installation Notes:

1. Seal flange/frame to substrate.
2. Use #8 PH or greater fastener through the frame with sufficient length to penetrate a minimum of 1 1/2" into the wood framing. For 2x wood frame substrate (min. S.G. = 0.42)
3. Host structure (wood buck, masonry, steel) to be designed and anchored to properly transfer all loads to the structure. The host structure is the responsibility of the architect or engineer of record for the project of installation.

General Notes:

1. The product shown herein is designed, tested and manufactured to comply with the wind load criteria of the adopted International Building Code (IBC), the International Residential Code (IRC), the Florida Building Code (FBC) and the industry requirement for the stated conditions.
2. All glazing shall conform to ASTM E1300.
3. At minimum, glazing shall be double strength annealed insulating glass.
4. Use structural or composite shims where required.

This schedule addresses only the fasteners required to anchor the window to achieve the rated design pressure and impact performance (where applicable) up to the size limitations noted. It is not intended as a guide to the installation process and does not address the sealing consideration that may arise in different wall conditions. For the complete installation procedure, see the instructions packaged with the window or go to www.jeld-wen.com/resources/installation.

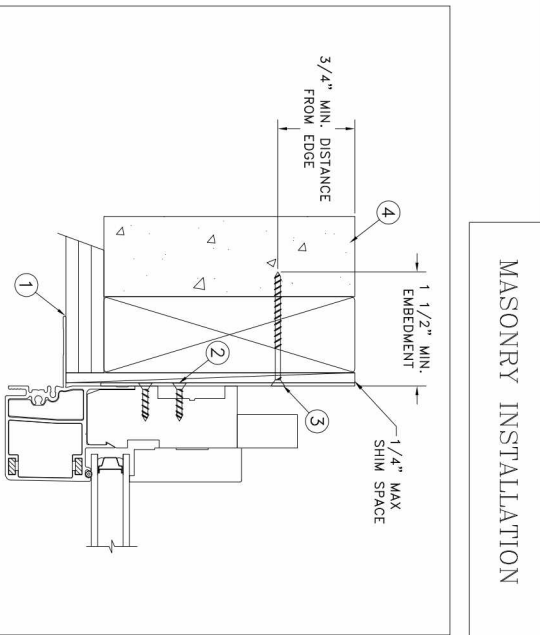
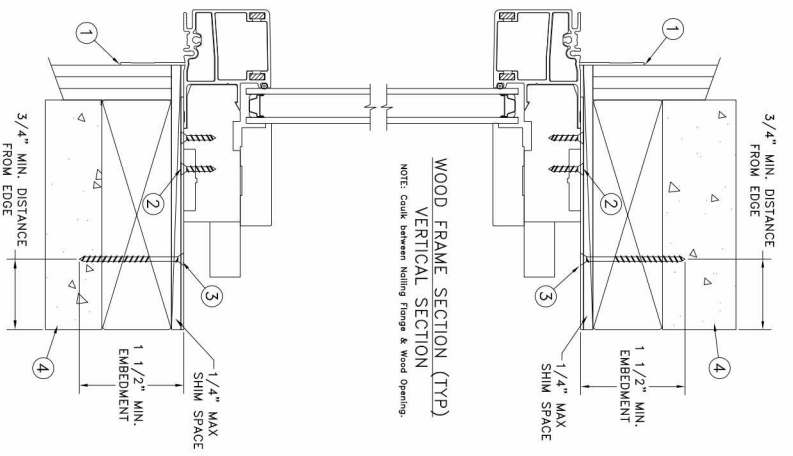
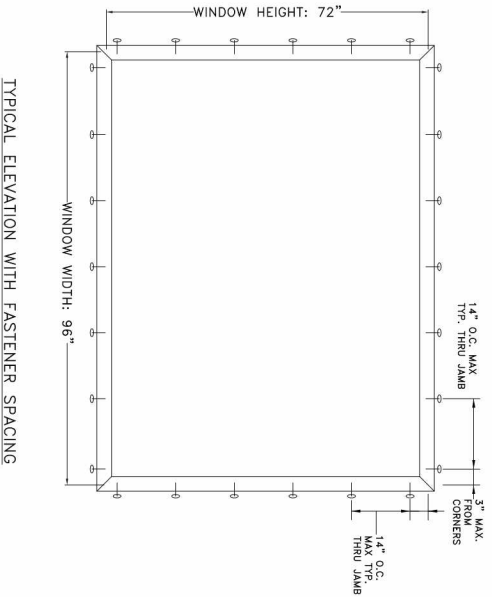
DISCLAIMER:

This drawing and its contents are confidential and are not to be reproduced or copied in whole or in part or used or disclosed to others except as authorized by JELD-WEN Inc.

PROJECT ENGINEER:	DATE:
DRAWN BY:	SCALE:
CHECKED BY:	TITLE:
APPROVED BY:	
PART/PROJECT No.:	
IDENTIFIER No.:	

PROJECT ENGINEER:	DATE:
DRAWN BY:	SCALE:
CHECKED BY:	TITLE:
APPROVED BY:	
PART/PROJECT No.:	
IDENTIFIER No.:	

PLANT NAME AND LOCATION:	CAD DWG. No.:	REV:	SHEET
Bend-OR	EpicVueCLDSet Cert	A	
<p>JELD-WEN 3737 LAKEPORT BLVD. KIAMATH FALLS OR, 97601 PHONE: (800) 535-3936</p> <p>EpicVue Clad Direct Set Window</p>			



Max Frame	DP	IMPACT
96 x 72	+50/-55	NO

- Installation Notes:**
1. Seal flange/frame to substrate.
 2. Use #8 PFH or larger fasteners through masonry strap with sufficient length to penetrate a minimum of 1 1/2" into the masonry or buck.. For concrete (min. f_c = 3000 psi) or masonry substrate (CMU shall adhere to ASTM C90).
 3. Use #8 PFH or larger fasteners through masonry strap into jamb without penetrating through the jamb into product causing visibility or collateral damage to product.
 4. Host structure (wood buck, masonry, steel) to be designed and anchored to properly transfer all loads to the structure. The host structure is the responsibility of the architect or engineer of record for the project of installation.

- General Notes:**
1. The product shown herein is designed, tested and manufactured to comply with the wind load criteria of the adopted International Building Code (IBC), the International Residential Code (IRC), the Florida Building Code (FBC) and the industry requirement for the stated conditions.
 2. All glazing shall conform to ASTM E1300.
 3. At minimum, glazing shall be double strength annealed insulating glass.
 4. Use structural or composite shims where required.

This schedule addresses only the fasteners required to anchor the window to achieve the rated design pressure and impact performance (where applicable) up to the size limitations noted. It is not intended as a guide to the installation process and does not address the sealing consideration that may arise in different wall conditions. For the complete installation procedure, see the instructions packaged with the window or go to www.jeld-wen.com/resources/installation.

DISCLAIMER:
This drawing and its contents are confidential and are not to be reproduced or copied in whole or in part or used or disclosed to others except as authorized by JELD-WEN Inc.

PROJECT ENGINEER:	DATE:
DRAWN BY:	SCALE:
CHECKED BY:	TITLE:
APPROVED BY:	
PART/PROJECT No.:	
IDENTIFIER No.:	

PROJECT ENGINEER:	DATE:
DRAWN BY:	SCALE:
CHECKED BY:	TITLE:
APPROVED BY:	
PART/PROJECT No.:	
IDENTIFIER No.:	

PLANT NAME AND LOCATION: **Bend-OR**

CAD DWG. No.: **EpicVueCLDSet Cert**

REV: **A**

SHEET

JELD-WEN 3737 LAKEPORT BLVD.
KIAMATH FALLS OR, 97601
PHONE: (800) 535-3936

EpicVue Clad Direct Set Window